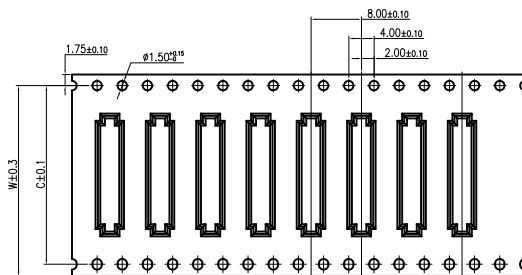
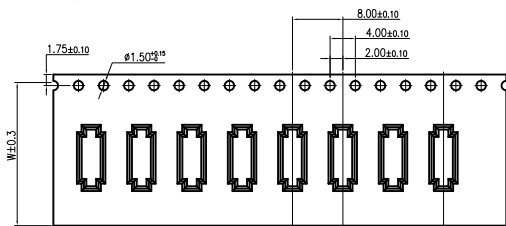


The product using material and processing must conform to the "WI-PZ-001" HSF technical standard control requirements

PIN NO.	W	C	PCS /REEL	REEL/CARTON	SUM(PCS)
10PIN~20PIN	16	-	2500	15	37500
30PIN~50PIN	24	-	2500	10	25000
60Pin~80PIN	32	28.4	2500	8	20000

Tape width 16 and 24 mm

Tape width 32 and 44 mm



PULL OUT DIRECTION

PULL OUT DIRECTION

NOTE:

- 1.10 Sprocket hole pitch cumulative tolerance ± 0.20 .
2. Carrier camber is within 1mm in 100mm.
3. Material: black conductive polystyrene alloy.
4. Material Thickness: 0.3 ± 0.05 mm.
5. All dimensions meet EIA-481-B requirements.
6. 1000pcs Pef Reel.
7. For tape width(dim W)16 and 24mm pilot holes are provided on one sides. For tape width(dim W)32, 44 and 56mm pilot holes are provided on both sides.

RoHS+HF

COVER TAPE (上盖带)

PULL OUT DIRECTION

165°~180°

(PEELING ANGLE)

CARRIER TAPE (下载带)

REEL (胶盘)

GP LABEL (环保标签) (1PCS)

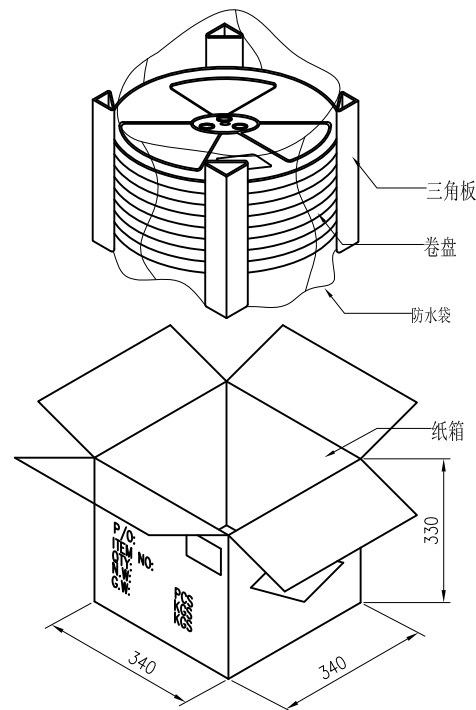
ø13.5

LABLE (标签)

SAFE TAPE (安全带L=1750mm Ref)

SCALE 1:4

W+4



REV.	REVISION RECORD	DATE	UNIT:mm	GENERAL TOLERANCES		SCALE: 1:1	NAME	DATE	PART.NO: B050321F0-2XX2XX201	DWG.NO: ENDE05	 WanLian Teconology Co., Ltd
AO	NEW RELEASE	21.11.17		LINEAR	ANGLES	APPROVED	Wang_jr	21.11.17			
			0.00±0.25	X'±3°	DESIGNER	Han_Gao	21.11.17		TITLE: 包装规范		
			0.000±0.10	X'X' ±2°	DRAWN	Zijun_Huang	21.11.17			REV: A0	SHEET: 2/2